



AA-36

DIN rail mount protected relay actuator - 1 module



TECHNICAL MANUAL – INSTALLATION PRELIMINARY DOCUMENTATION

Made in Italy by TEMA TELECOMUNICAZIONI S.r.l. WWW.TEMATLC.IT

Recommendations

1. Use only original spare parts and consumables supplied by Tema Telecomunicazioni Srl for this equipment. The company shall not be held responsible for any damage caused by the use of materials that they have not supplied.
2. The device has been carefully manufactured and tested. In any case, the product is not recommended for use in situations in which incorrect operating may result in damage to persons and/or property.
3. We recommend that you carefully read all this manual before starting to use the device.
4. Do not expose the device to sunlight and protect it from sources of heat, dust, humidity and chemical agents.
5. This manual is the property of Tema Telecomunicazioni Srl and any duplication and reproduction, even partial, as well as storage on any type of media is forbidden without written permission from Tema Telecomunicazioni Srl.

Revision	Date	Revision reason	Prepared	Checked/Approved
1	22/12/2016	Updates	DP	FL



DECLARATION OF CONFORMITY (DoC)

We, **TEMA TELECOMUNICAZIONI SRL** Via C. Girardengo, 1/4 - 20161 MILANO

declare under our sole responsibility that the product:

product name **RELAY ACTUATOR**
trade name **TEMA TELECOMUNICAZIONI Srl**
type or model **AA-36**

to which this declaration relates is in conformity with the essential requirements and other relevant requirements of the R&TTE Directive (1999/5/EC, 2006/95/EC, 2004/108/EC).

The product is in conformity with the followings standards and/or other normative documents

HEALT & SAFETY EN 60950-1:2006
 A11:2009
 A1:2010
 A12:2011

EMC EN 55022:2010
 EN 55024:2010
 EN 61000-3-2:2006
 EN 61000-3-3 :2008

MILANO, 14 April 2015

TEMA TELECOMUNICAZIONI SRL
D. Pontillo

A handwritten signature in blue ink, appearing to be 'DP', is written below the printed name 'D. Pontillo'.

I. IMPORTANT INFORMATION REGARDING THE RECOVERY AND RECYCLING OF THIS ELECTRONIC DEVICE

The crossed-out wheeled bin symbol below indicates that this electronic equipment is intended to be disposed in a separate collection and not in an unsorted municipal waste, in order to provide for the treatment of WEEE (Waste Electrical and Electronic Equipment) using best available recovery and recycling techniques.

Specific treatment for WEEE is indispensable in order to avoid the dispersion of pollutants and other hazardous substances into the waste stream, while recycling leads to reduction of disposal of waste and the negative impacts on environment and human health. That is, priority is given to reuse of WEEE in its components, subassemblies and consumables.

As the final holder, the user has an important role in contributing to reuse, recycling and other forms of recovery of WEEE and is responsible to return this waste in the collection facilities set up by EC Member States and to fulfill other duties in compliance with Directive 2002/96/EC and local laws.



PRESENTATION AND FEATURES

AA-36 is a one via, relay actuator for DIN rail one unit module, with a CC (common) contact, a NC normally closed contact and a NO (normally open) contact. The drive voltage can be 12V or 24V, either DC or AC.

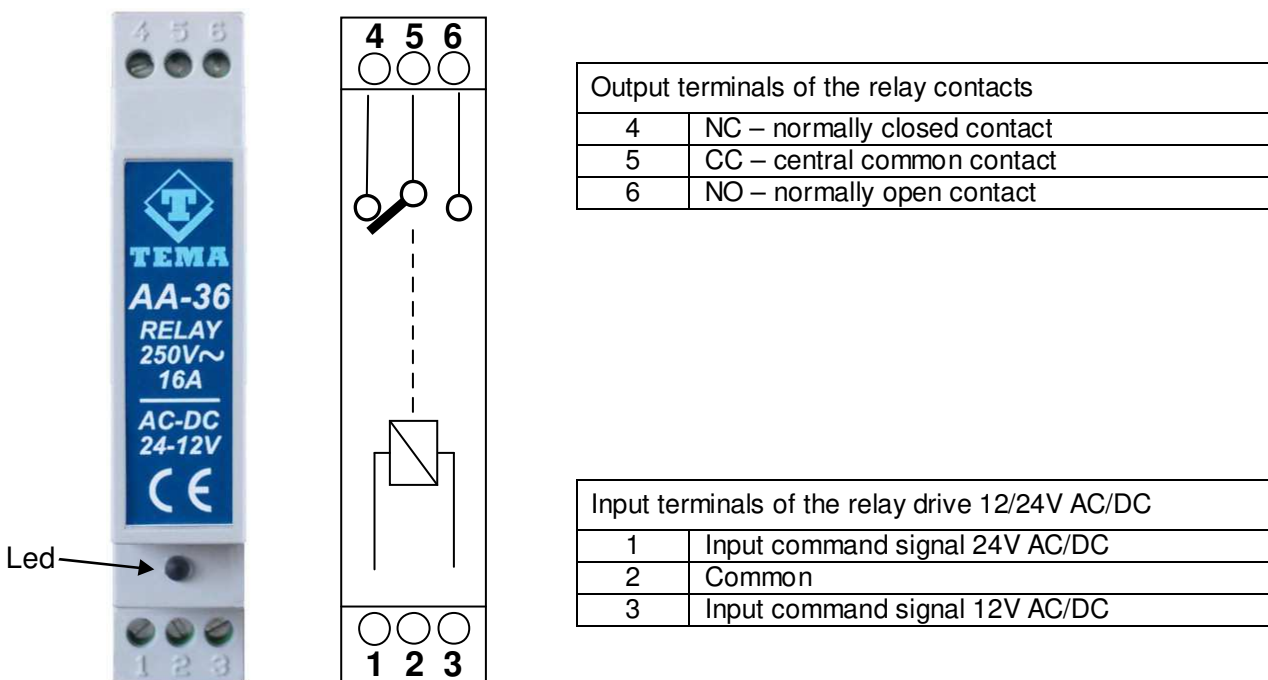
- DIN rail mounting, one module, one switching contact, load 16A 250VAC / 16A 30VDC
- Switching power of 4KVA AC or 480W DC
- Drive input voltage of 12V or 24V AC or DC
- Connecting with practical screw terminals, front LED for coil drive signaling

OPERATION

When the coil is not energized, in the absence of drive voltage, the contact CC(5) is closed on NC(4), Led off
When the coil is energized (with 12 or 24V) the contact CC(5) closes with the terminal NO(6), Led on

FRONT VIEW, INSTALLATION AND CONNECTION

All the connections are to be performed by qualified personnel, with all circuits powered off.



- Connect the cables of the load to operate at terminals 4-5-6 according to the operation to be obtained for the load
- Connect the cables for coil drive to only terminals 1-2 if the provided drive voltage is 24V
- Connect the cables for coil drive to only terminals 2-3 if the provided drive voltage is 12V
- The two drive sources at 24V or 12V are mutually exclusive. Connect the chosen one in the right way

TECHNICAL FEATURES

Maximum switching load of the relay contacts	Max 4KVA, 16A – 250V for AC voltages Max 480W, 16A – 30V for DC voltages
Minimum switching capacity of the relay contacts	Minimum of 0.6W, 0.1A – 6V
Protected with Electric internal arc suppressors	On both contacts, with GE-MOV devices
Control drive input power	35 mA at 12V AC/DC (0.42W) 35 mA at 24V AC/DC (0.84W)
Input / Output withstand voltage	5KV – 50Hz
Hermetically sealed internal relay, standards	IEC61810-7, IEC60255-5, IEC68-2-27, IEC68-2-6, IEC68-2-21, IEC68-2-20, IEC68-2-3
Ambient temperature	-40°C / 85°C
Relative humidity	95% non-condensing
Mounting type	DIN rail, 1 module (width 17mm)
Dimensions and weight	W 17 x H 90 x D 60 mm - 60 g