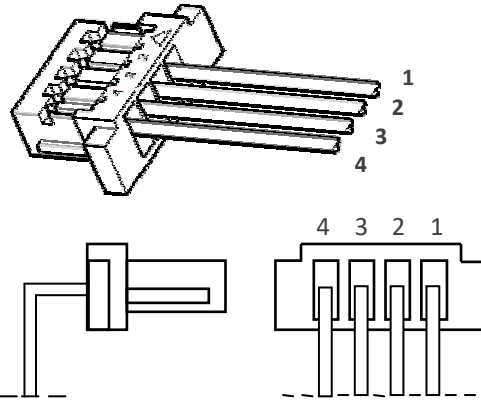




AA-697/W21 Cable with connector at one side **4 pin** length **50cm**, connector JST type series SH, 1 mm, pin insulation 50V, max current 1A

AA-697/W25 Cable with connector at one side **4 pin** length **200cm**, connector JST type series SH, 1 mm, pin insulation 50V, max current 1A

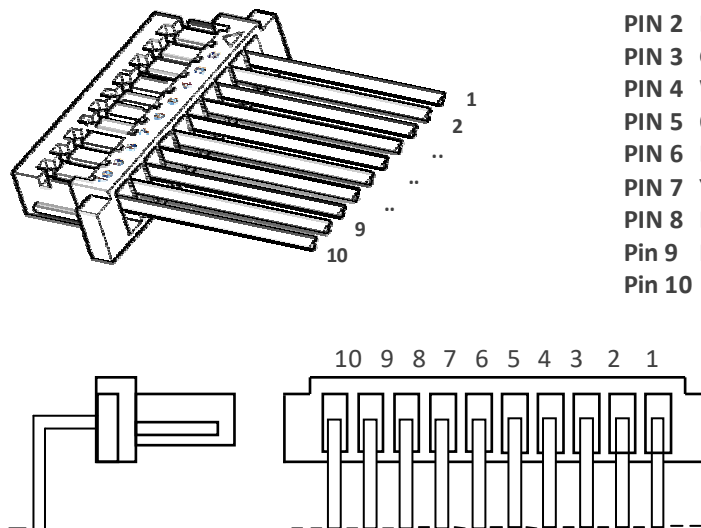


- PIN 1 ORANGE
- PIN 2 BLUE
- PIN 3 WHITE
- PIN 4 BLACK



AA-697/W31 Cable with connector at one side **10 pin** length **50cm**, connector JST type series SH, 1 mm, pin insulation 50V, max current 1A

AA-697/W35 Cable with connector at one side **10 pin** length **200cm**, connector JST type series SH, 1 mm, pin insulation 50V, max current 1A



- PIN 1 RED
- PIN 2 BLACK
- PIN 3 GREEN
- PIN 4 WHITE
- PIN 5 ORANGE
- PIN 6 BLUE
- PIN 7 YELLOW
- PIN 8 BROWN
- Pin 9 PURPLE
- Pin 10 GREY



TEMA TELECOMUNICAZIONI S.r.l.

Via Costante Girardengo, 1/4 - 20161 Milano MI (Italy) Tel. +39 02 61544.1 Fax +39 02 6152605
 Web: www.tematlc.it e-mail: tematlc@tematlc.it International: sales@tematlc.it

