

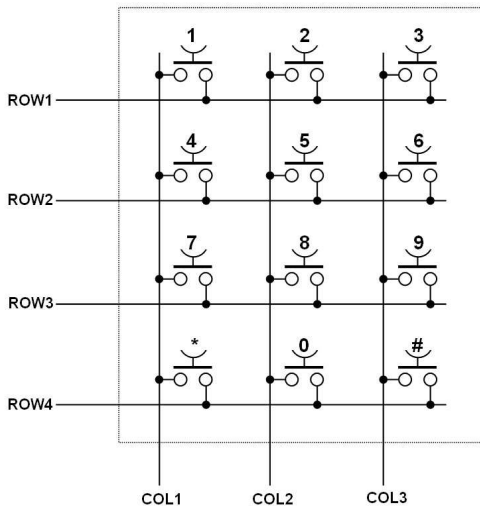
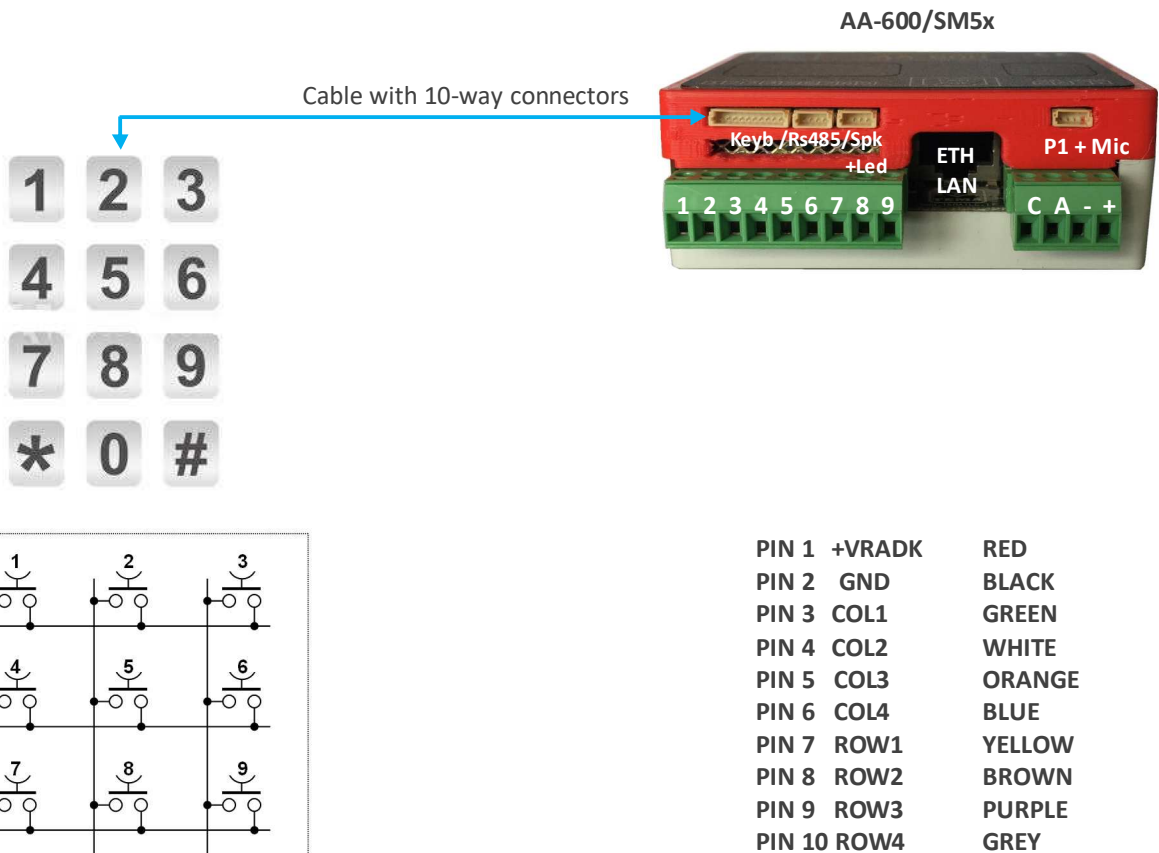


## AA-697/KV 12-key vandal-proof metal keypad

## AA-697/KP 12-key plastic keys keypad (for indoor environments)

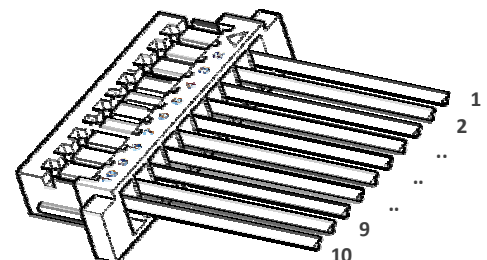
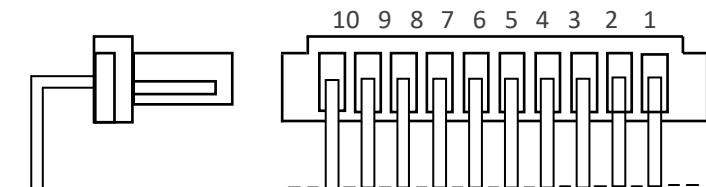
The AA-697/KV keyboard is supplied with a prewired cable with a mini 10-way connector to be connected directly to the "Keyboard" socket of the AA-600/SM5x module. The keys are vandal-proof metal and LED backlit for identification even in poor or no ambient lighting conditions, the power is supplied directly from the AA-600/SM5x module through PIN1-2. The practical use is to be able to select a VoIP number with which the module establishes the communication in hands-free mode. Another use is to activate a module relay with a programmable code in order to open a gate or activate external devices (see technical manual for programming the AA-600/SM5x module).

The AA-697/KP model has plastic keys, not illuminated and is for indoor use.

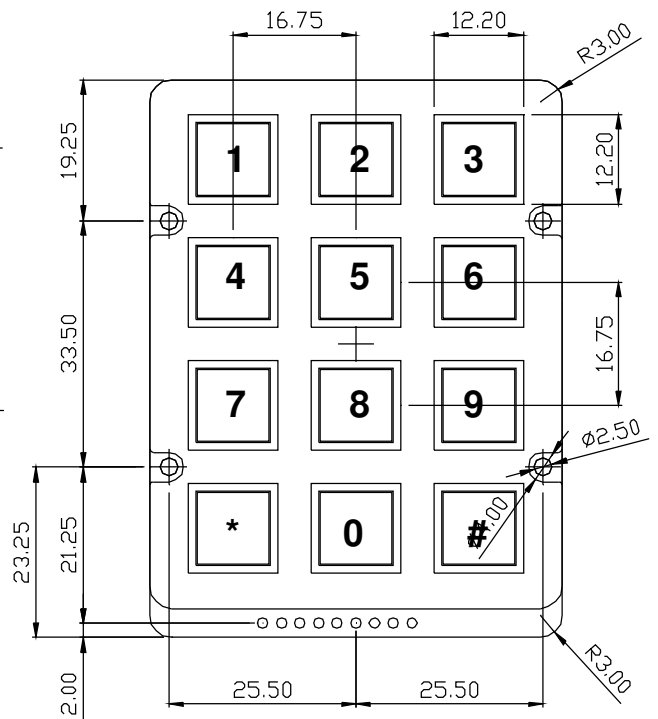
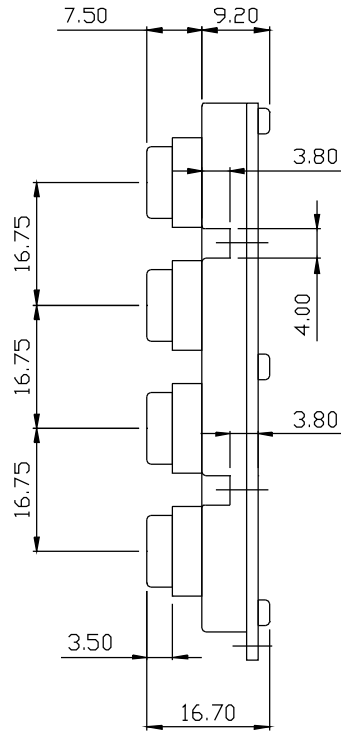


Pins 1-2 in the case of the AA-697/KV metal keyboard supply the LEDs for the backlighting of the key numbers

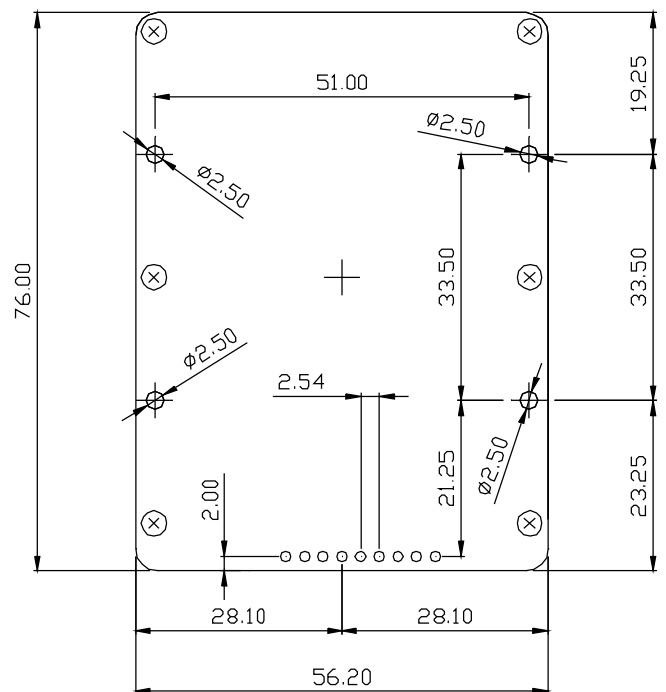
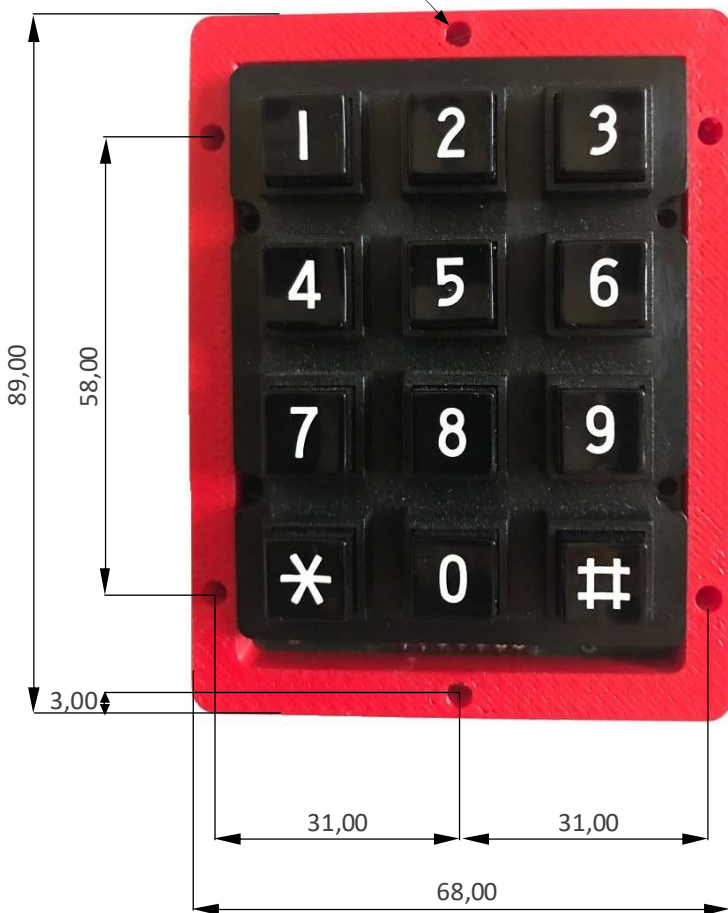
Detail of the connection of the wires between the connector and the components, cable length 30cm.



## Mechanical dimensions bare keyboards and with protective frame (Dimensions in mm)



All holes diam.  
3,50mm



**TEMA TELECOMUNICAZIONI S.r.l.**

Via Costante Girardengo, 1/4 - 20161 Milano MI (Italy) Tel. +39 02 61544.1 Fax +39 02 6152605  
Web: [www.tematlc.it](http://www.tematlc.it) e-mail: [tematlc@tematlc.it](mailto:tematlc@tematlc.it) International: [sales@tematlc.it](mailto:sales@tematlc.it)



UNI EN ISO 9001:2015