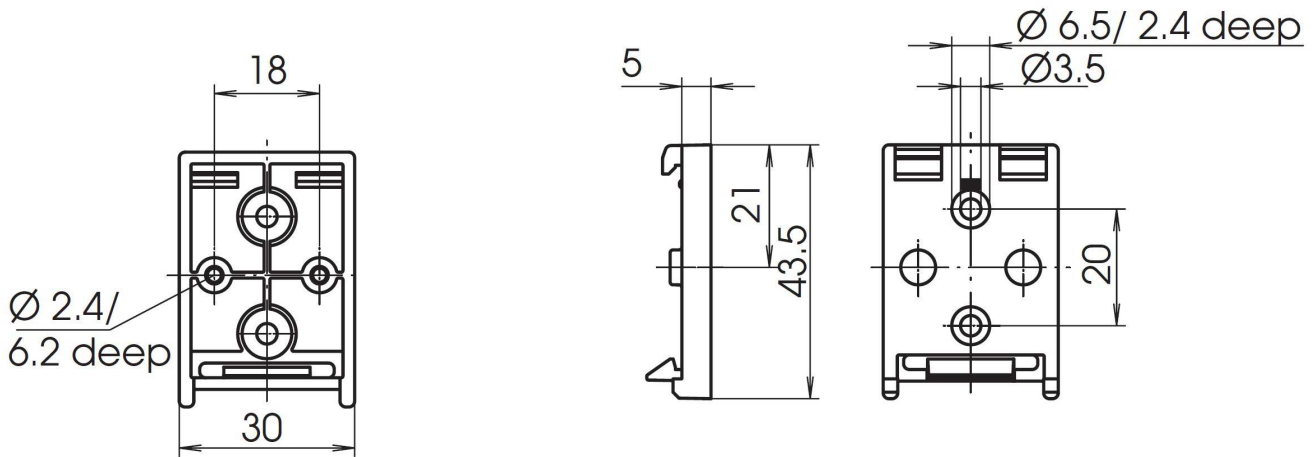
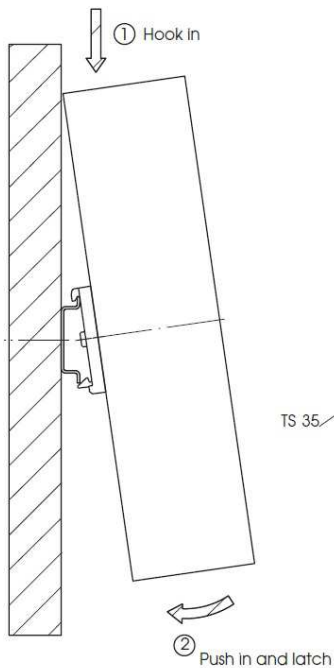


**AA-697/DIN** Kit for mounting AA-600 devices on a standard DIN rail. The kit includes an accessory in ABS to be mounted with 2 screws and two washers on the back of the AA-600 modules in the two special threaded components embedded in the plastic of the container. If the device is to be mounted in a cabinet already equipped with DIN bars, simply attach it to the bar. If the device is to be installed on the wall, a DIN bracket in 50mm wide galvanized steel with 2 wall plugs and 5mm screws are included. The universal accessory can be used to attach other equipment to a DIN rail.

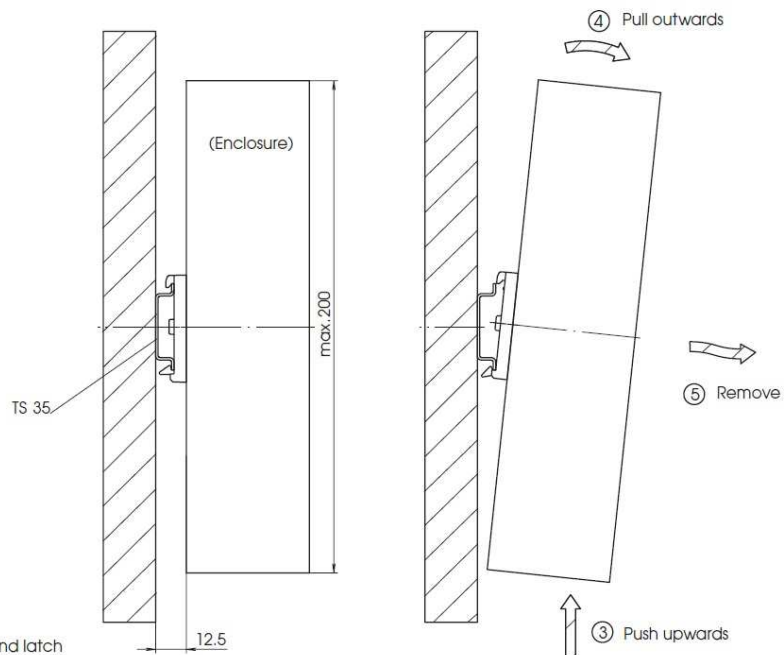
Note: the images are indicative and may vary depending on the production



Assembly



Disassembly



TEMA TELECOMUNICAZIONI S.r.l.

Via Costante Girardengo, 1/4 - 20161 Milano MI (Italy) Tel. +39 02 61544.1 Fax +39 02 6152605  
Web: [www.tematlc.it](http://www.tematlc.it) e-mail: [tematlc@tematlc.it](mailto:tematlc@tematlc.it) International: [sales@tematlc.it](mailto:sales@tematlc.it)

