



**AA-697/CAM** HD USB Camera housed in an ABS case, pre-wired with 25cm cable and 4-way connector. Note: the images are indicative and may vary depending on the production.

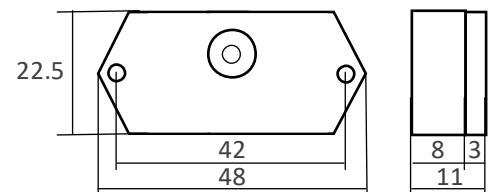
It comes in a plastic box in colored ABS that encloses a USB Camera of excellent quality. The connection with the module takes place by means of a small plug-in connector directly on the front of the AA-600 device (see the AA-600-IP system manual for details). The camera can be positioned behind panel where a special hole protected with transparent material must be provided.

### Features of the camera box:

- Colored ABS, with 50 cm connection cable and connector for AA-600-IP system
- Insulating tube to protect the individual connection wires
- Dimensions with fixing tabs 48x22.5x11mm
- 2 fixing holes on the tabs, diameter 3.5mm

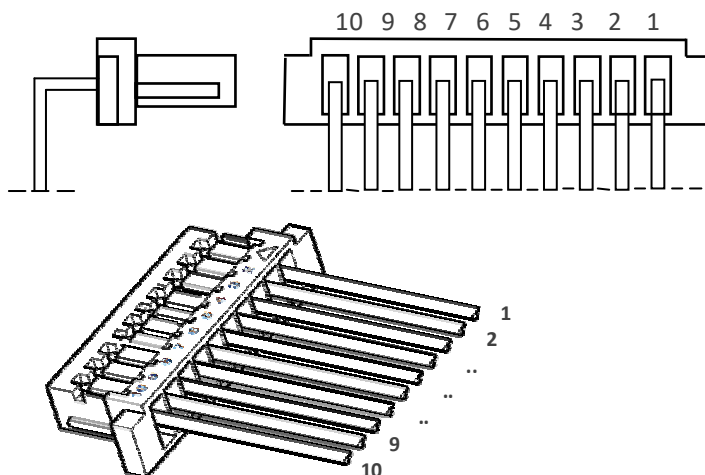
### Features of the camera housed in the plastic casing:

- USB color camera
- Objective Pin Hole
- 70 ° shooting angle
- Automatic focus
- Fixed lens
- Self-adapting to ambient light
- Maximum resolution HD720 and 640x480, 352x288, 320x240, 176x144 supported
- Video streaming over IP via AA-600-IP in H.263, H.263 +, H264 modes



### Features of the connector:

- SH series JST connector, 1 mm pitch, 50V pin isolation, 1A current rating
- Cable with metal insertion terminals, braid of AWG28 section, colored



<b>PIN 1</b>	CAM-PWR	RED
<b>PIN 2</b>	CAM-D-	BLACK
<b>Pin 3</b>	CAM-D+	GREEN
<b>Pin 4</b>	CAM-GND	WHITE

### When Illuminator board is present:

<b>PIN 7</b>	ILL-PWR	YELLOW
<b>PIN 8</b>	ILL-GND	BROWN
<b>Pin 9</b>	ILL-LAMP2	PURPLE
<b>Pin 10</b>	ILL-LAMP1	GREY

